



US00D964501S

(12) **United States Design Patent** (10) **Patent No.:** **US D964,501 S**  
**Daniil** (45) **Date of Patent:** **\*\* Sep. 20, 2022**

(54) **ANIMAL TRAP**  
(71) Applicant: **Daniil Daniil**, Wayne, NJ (US)  
(72) Inventor: **Daniil Daniil**, Wayne, NJ (US)  
(\*\*) Term: **15 Years**  
(21) Appl. No.: **29/825,604**  
(22) Filed: **Feb. 3, 2022**  
(51) **LOC (13) Cl.** ..... **22-06**  
(52) **U.S. Cl.** .....  
USPC ..... **D22/119**  
(58) **Field of Classification Search**  
USPC ..... D22/119-120; 43/58, 60-61, 69, 81  
CPC ..... A01M 23/00; A01M 23/02; A01M 23/24;  
A01M 23/30  
See application file for complete search history.

6,574,912 B1 6/2003 Johnson  
D503,177 S 3/2005 Underwood  
D532,478 S 11/2006 Wiesener  
D614,724 S 4/2010 Waddington et al.  
D616,958 S 6/2010 Huang  
D664,762 S 8/2012 Dalton  
D671,186 S 11/2012 Dobias  
D671,614 S 11/2012 Dobias  
D673,640 S 1/2013 Bailey  
D676,098 S 2/2013 Huang  
8,490,322 B2 7/2013 Dobias  
D713,488 S 9/2014 Dobias et al.  
D713,489 S 9/2014 Dobias  
D722,127 S 2/2015 Huang  
8,959,829 B2 2/2015 Kay  
9,210,924 B1 \* 12/2015 Terrell ..... A01M 1/2027

(Continued)

*Primary Examiner* — Catherine R Oliver-Garcia  
(74) *Attorney, Agent, or Firm* — Michael J. Feigin, Esq.;  
Feigin and Fridman LLC

(57) **CLAIM**

The ornamental design for an animal trap, as shown.

(56) **References Cited**

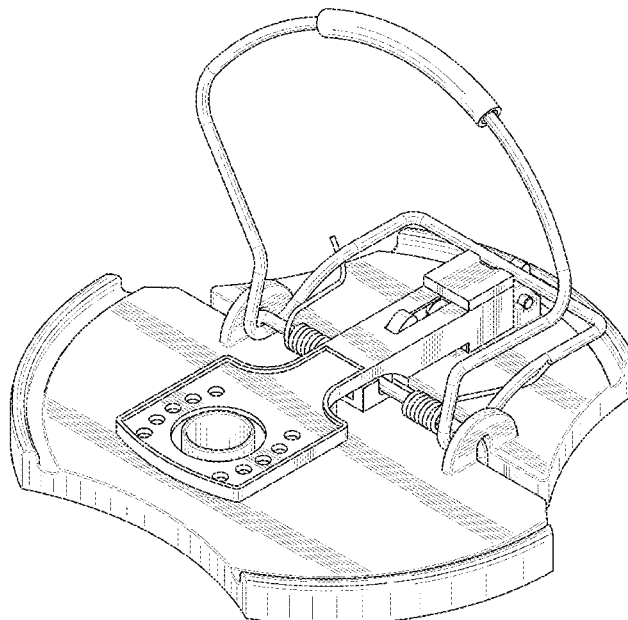
U.S. PATENT DOCUMENTS

1,184,667 A 5/1913 Appleby  
1,080,623 A 12/1913 Brorby  
D155,512 S \* 10/1949 Jones ..... D22/119  
D155,513 S \* 10/1949 Jones ..... D22/119  
3,161,984 A \* 12/1964 Martin ..... A01M 23/24  
43/85  
4,665,644 A 5/1987 Vajs  
4,991,340 A \* 2/1991 Schildt ..... A01M 23/30  
43/81  
D320,833 S 10/1991 Lumsden  
D323,016 S 1/1992 Vajs  
5,148,624 A \* 9/1992 Schmidt ..... A01M 23/30  
43/81  
D335,325 S 5/1993 Morford  
D385,611 S 10/1997 Prince et al.  
D441,828 S 5/2001 Leyerle  
6,415,544 B1 7/2002 Leyerle  
6,508,031 B1 1/2003 Johnson

**DESCRIPTION**

FIG. 1 is a top and side perspective view of the animal trap;  
FIG. 2 is a top and opposite side perspective view thereof;  
FIG. 3 is a front elevation view thereof;  
FIG. 4 is a rear elevation view thereof;  
FIG. 5 is a right side elevation view thereof;  
FIG. 6 is a left side elevation view thereof;  
FIG. 7 is a top plan view thereof;  
FIG. 8 is a bottom plan view thereof; and,  
FIG. 9 is a top and side perspective thereof, shown in a  
different position.  
The broken line showing of portions of the animal trap is  
included for the purpose of illustrating only and forms no  
part of the claimed design.

**1 Claim, 9 Drawing Sheets**



(56)

**References Cited**

U.S. PATENT DOCUMENTS

D764,010	S	8/2016	Tian	
D770,006	S	10/2016	Tian	
9,510,587	B1	12/2016	Hodel	
D836,747	S	12/2018	Ambler	
D842,422	S	3/2019	Guerrie et al.	
D863,493	S	10/2019	Le Laidier	
D868,201	S	11/2019	Walsh	
D886,233	S	6/2020	Daniil	
D904,550	S *	12/2020	Haney .....	D22/119
D904,551	S *	12/2020	Haney .....	D22/119
D925,000	S	7/2021	Daniil	
D956,919	S *	7/2022	Tian .....	D22/119
2010/0199544	A1	8/2010	Frisch	
2012/0011764	A1	1/2012	Dobias	
2013/0263494	A1	10/2013	Kay	

\* cited by examiner

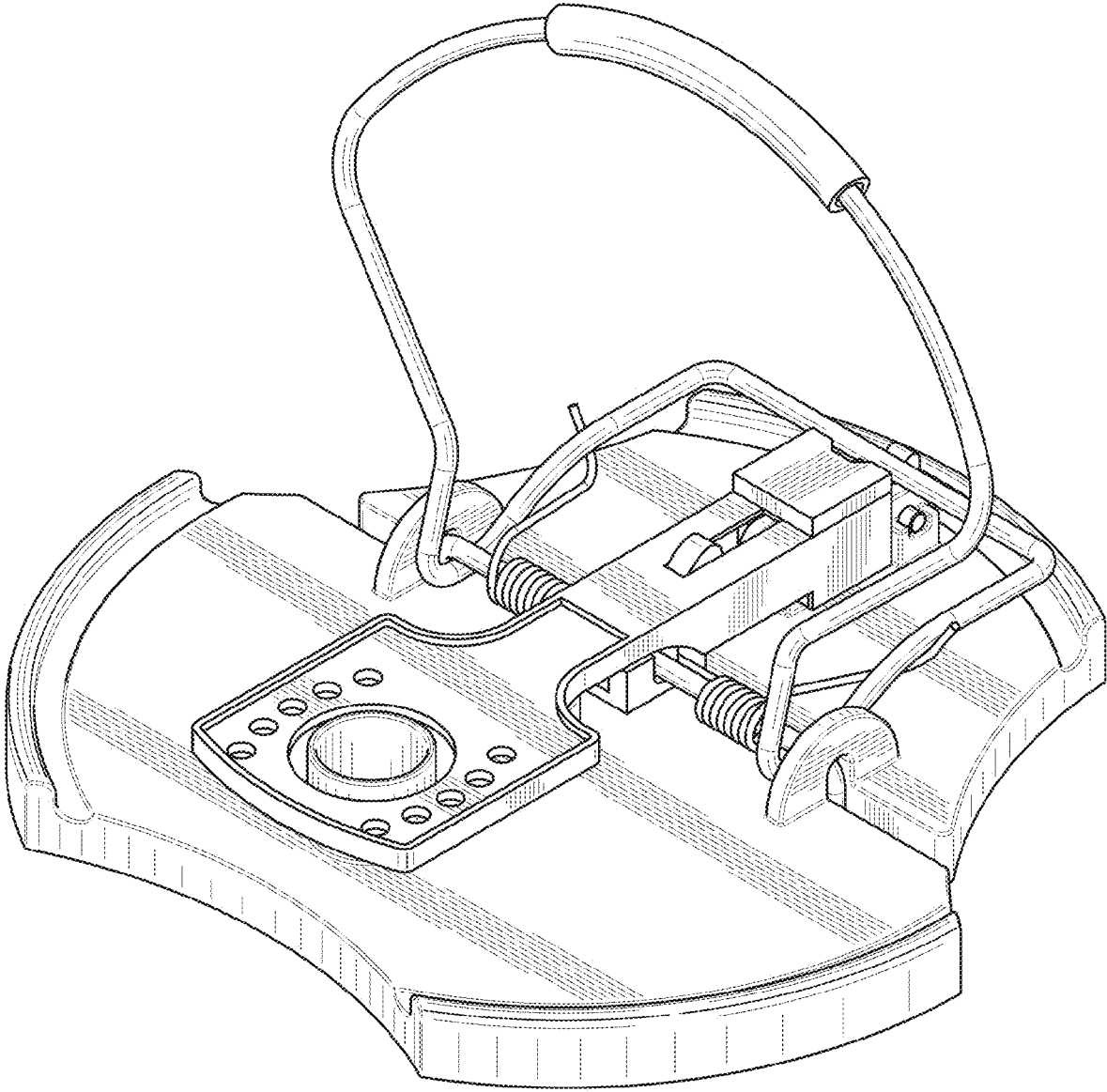


FIG. 1

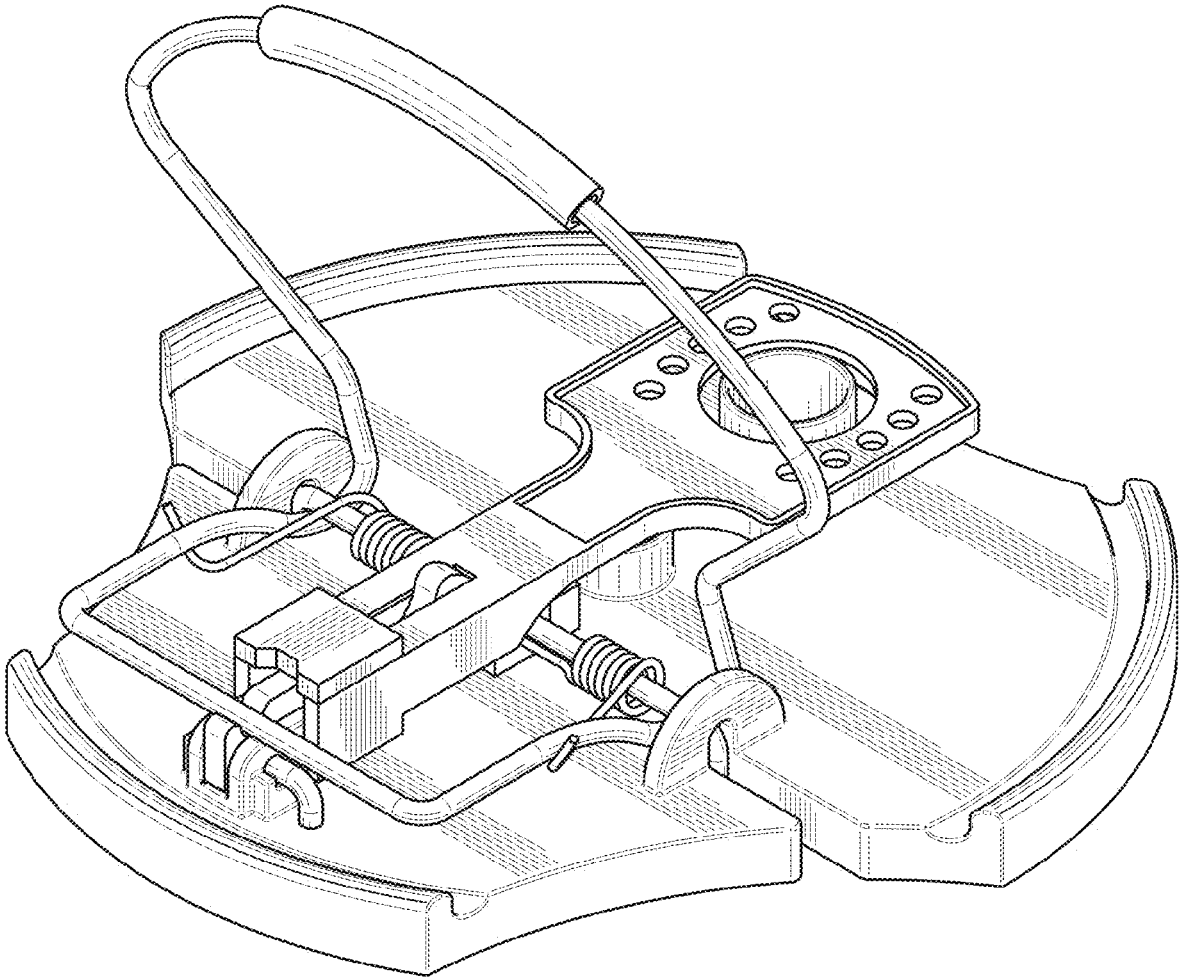


FIG. 2

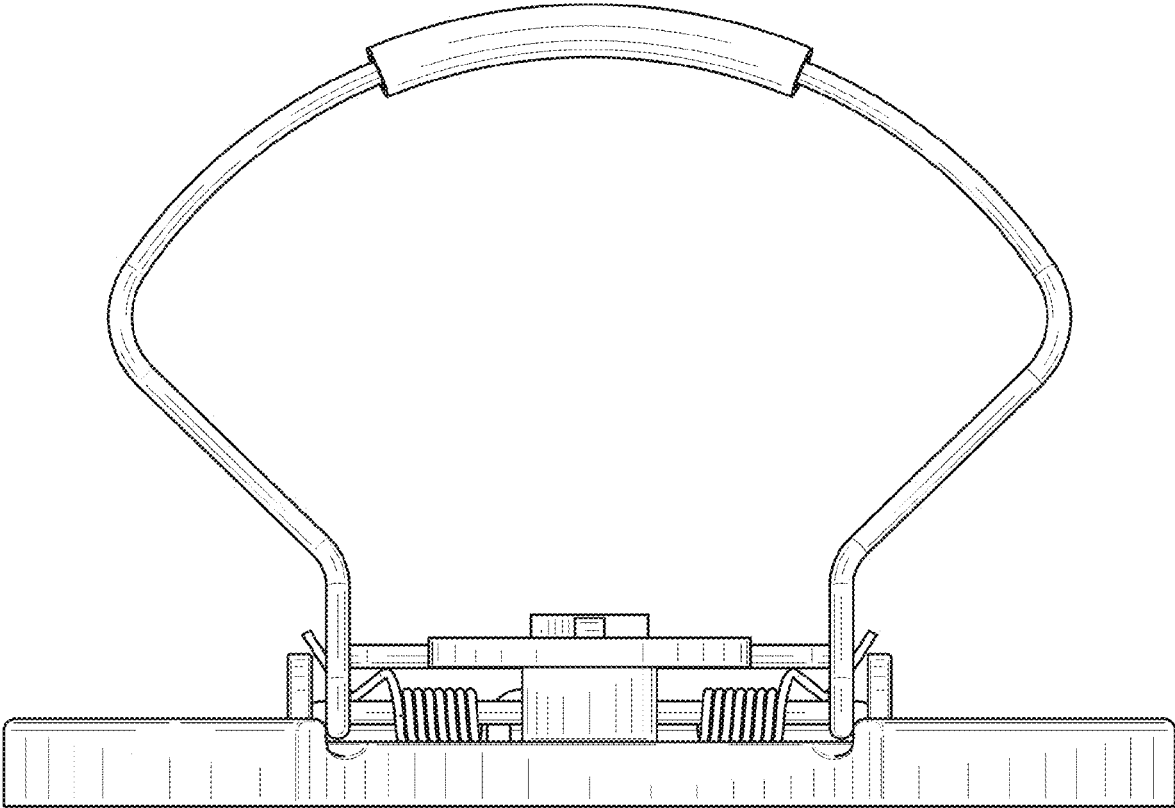


FIG. 3

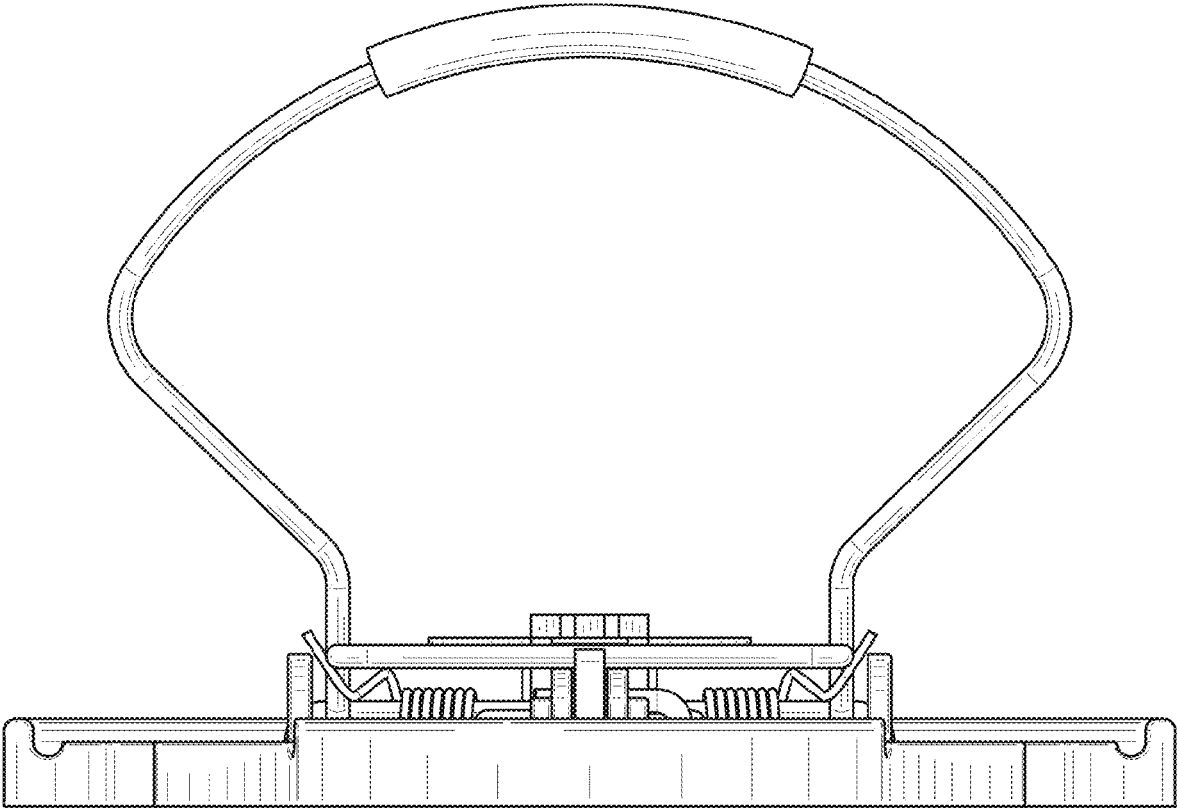


FIG. 4

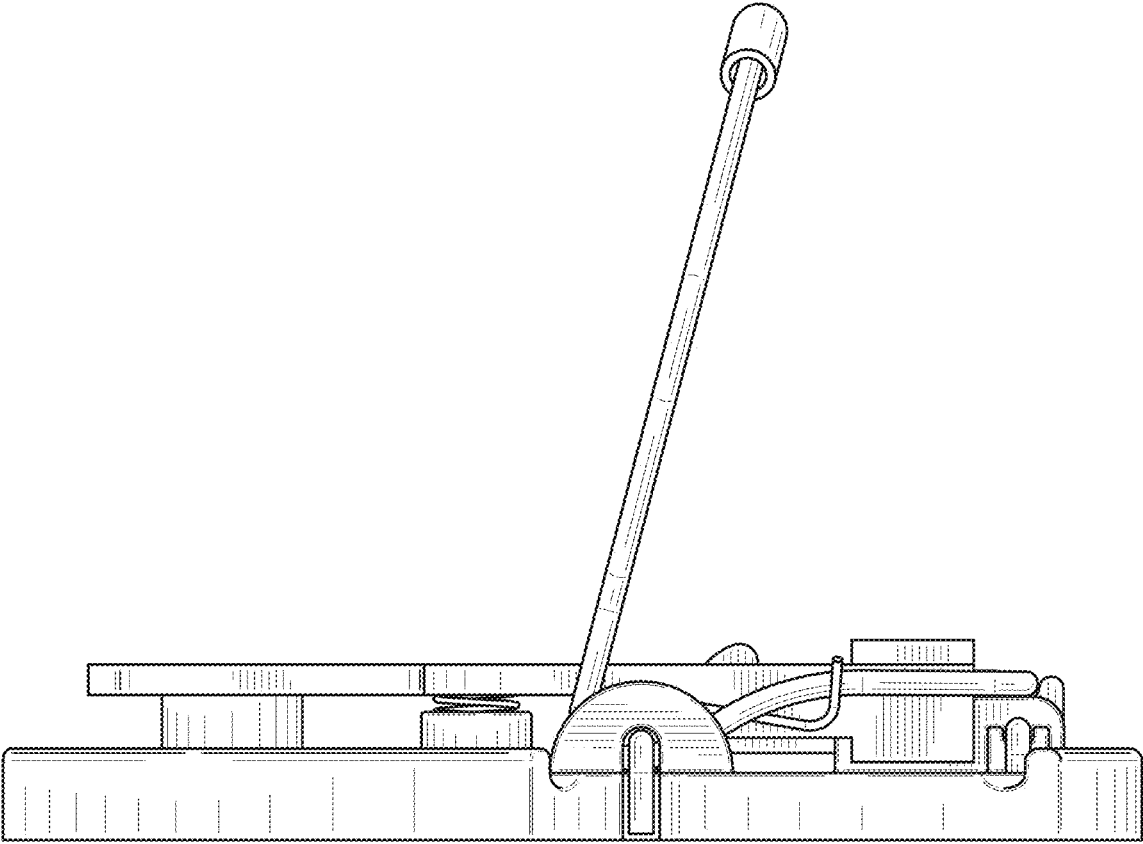


FIG. 5

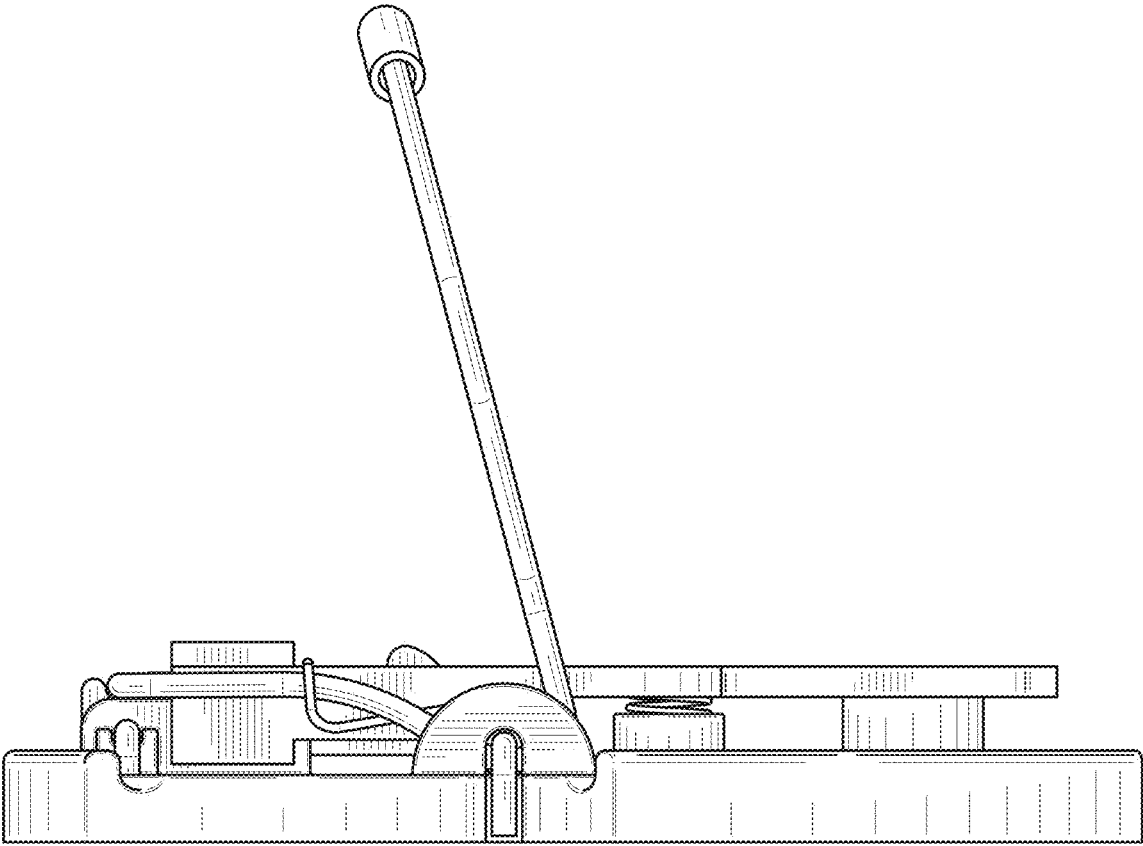


FIG. 6



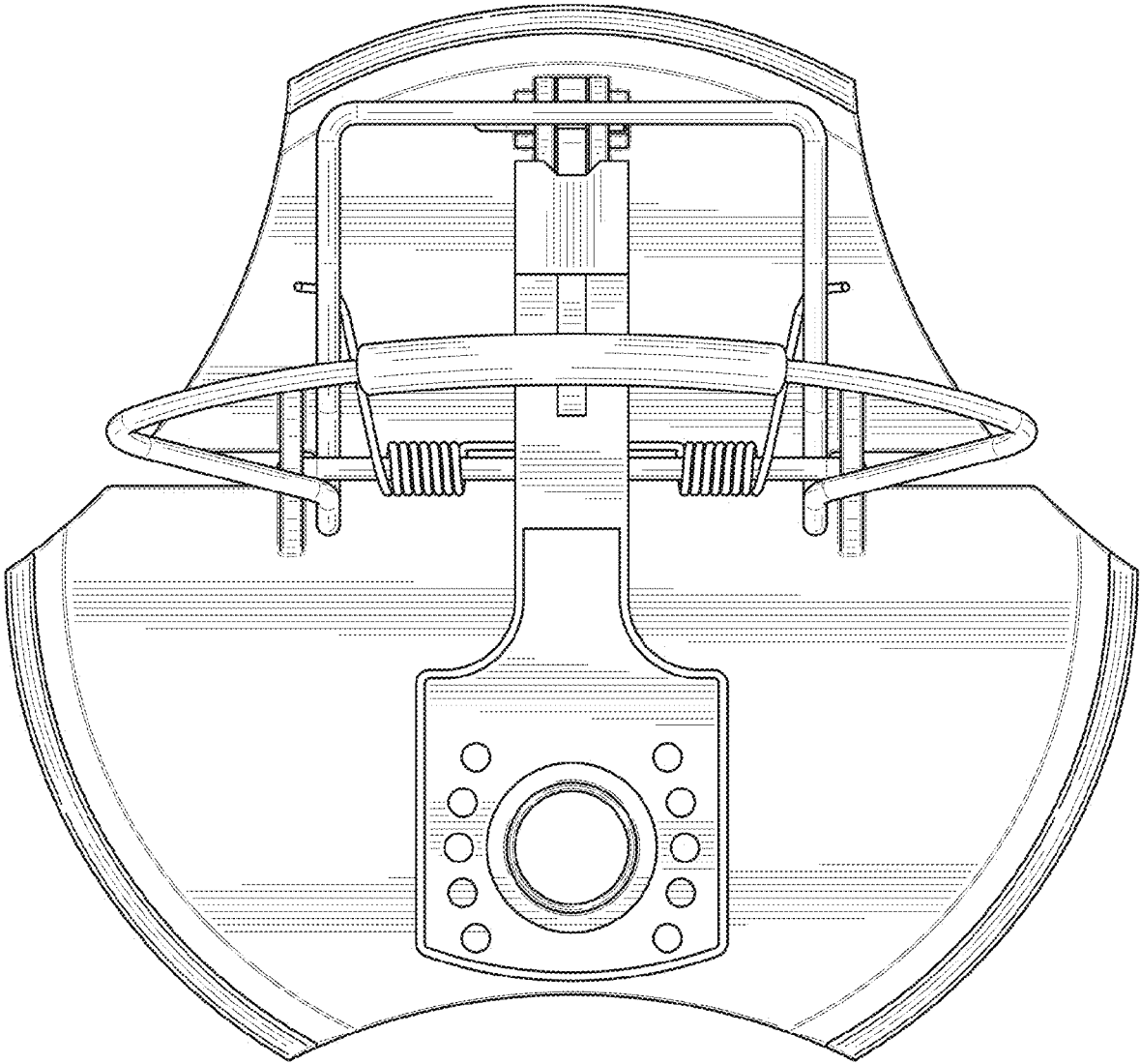


FIG. 7

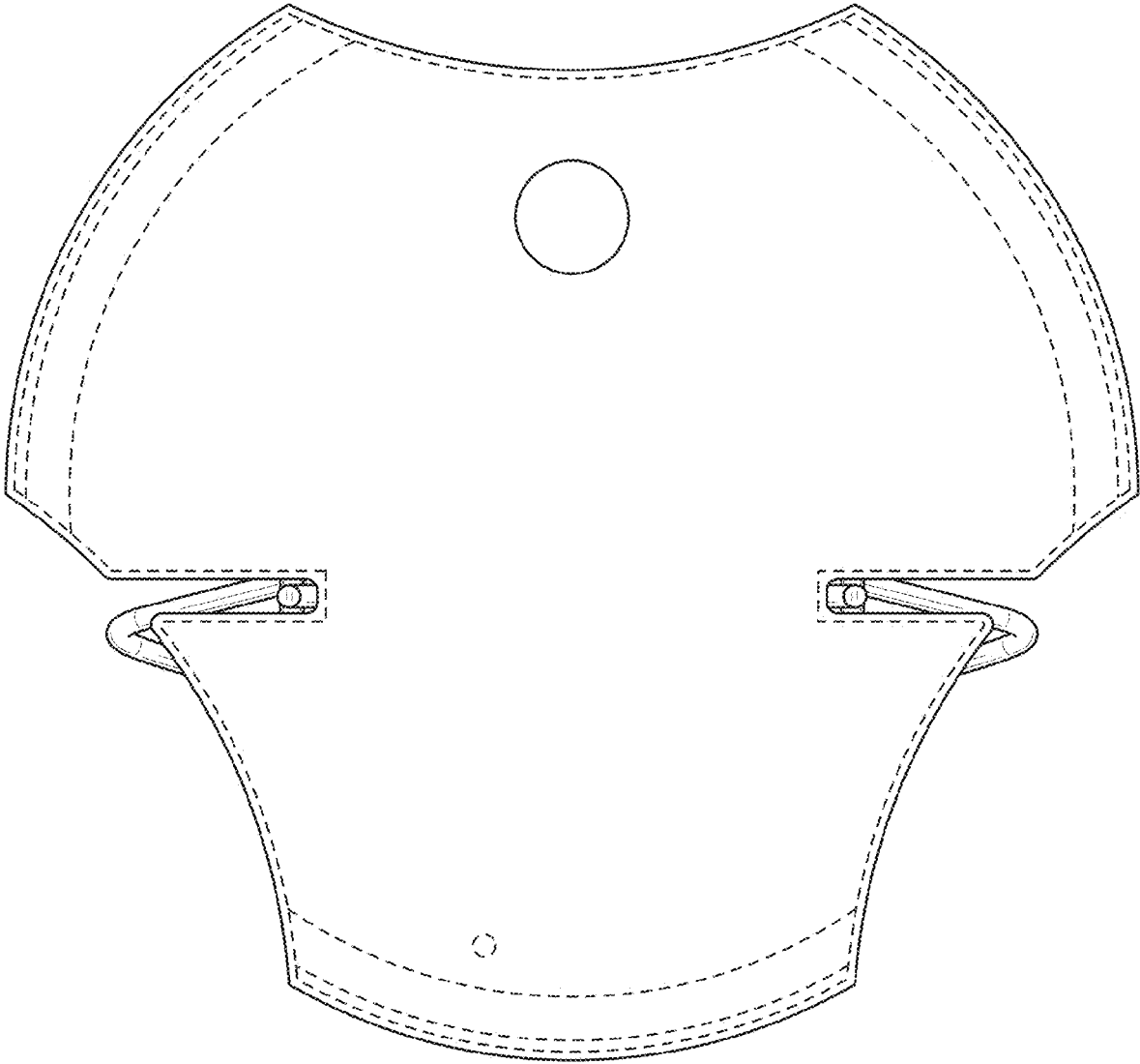


FIG. 8

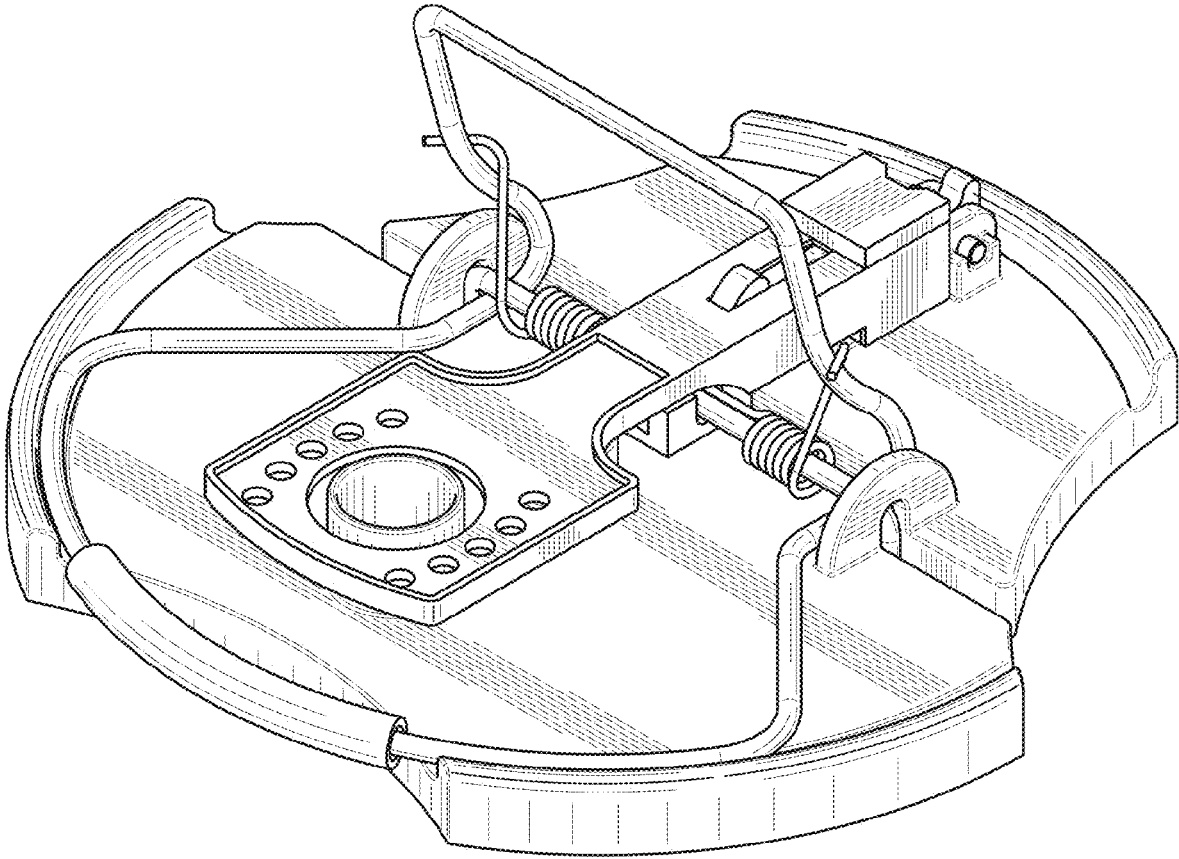


FIG. 9